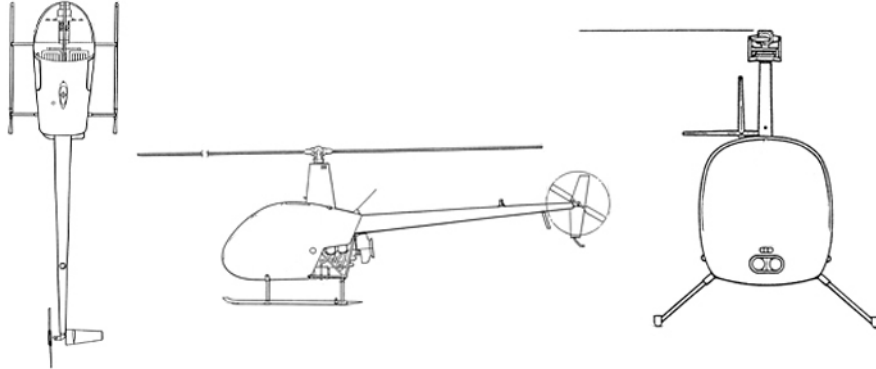


## Maverick

**Users:** DARPA/U.S. Army/Navy

**Manufacturer:** Boeing/Frontier/Robinson

**Inventory:** 6 Delivered/6 Planned (2006)



**Background:** Maverick is an unmanned version of the Robinson R22 helicopter. Frontier modified it in 1999 to serve as a testbed for developing the control logic for their DARPA A-160 UA effort. Subsequently, the Navy decided to acquire four Mavericks in 2003.

### Characteristics:

	Maverick		Maverick
Length	28.8 ft	Rotorspan	25.2 ft
Gross Weight	1,370 lb	Payload Capacity	400 lb
Fuel Capacity	100 lb	Fuel Type	AVGAS
Engine Make	Lycoming O-360-J2A	Power	145 hp
Data Link(s)	TBD	Frequency	TBD

### Performance:

Endurance	7 hr	Max/Loiter Speeds	118/0 kt
Ceiling	10,800 ft	Radius	175 nm
Takeoff Means	Hover	Landing Means	Hover
Sensor	EO/IR	Sensor Make	Wescam

